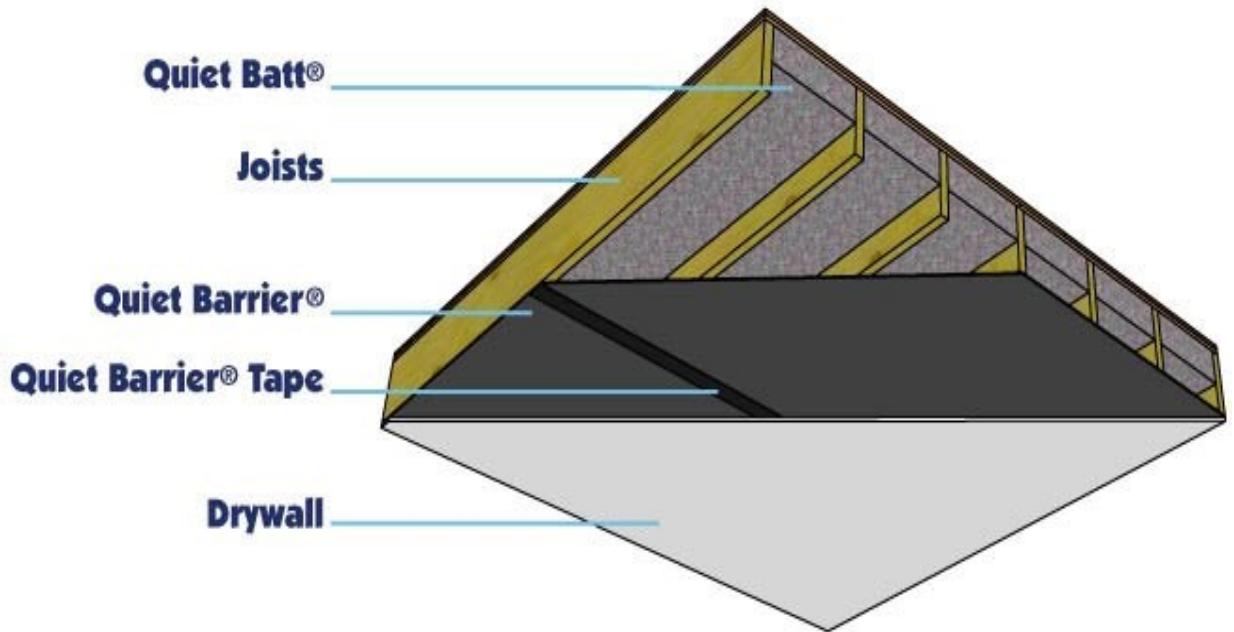


GOOD New Ceiling Soundproofing Assembly



This assembly will improve the noise blocking performance of a newly constructed ceiling. Use this assembly to reduce minimal amounts of airborne noise transfer between two rooms separated by a ceiling/floor assembly. This type of construction will reduce sounds like people talking and TV/Stereo at low volumes.

ADDRESS

Soundproofcow
440 Ramsey Avenue
Chambersburg, PA 17201

PHONE

P: 1-866-9499-COW
F: (717) 261-1790

WEB

www.soundproofcow.com



Products used in this assembly:

[Quiet Batt® Soundproofing Insulation](#)



[Quiet Barrier® Soundproofing Material](#)



[Quiet Barrier® Tape](#)



[OSI® Pro-Series® SC-175™ Acoustical Sound Sealant](#)



ADDRESS

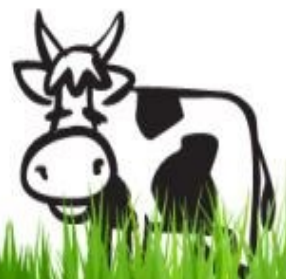
Soundproofcow
440 Ramsey Avenue
Chambersburg, PA 17201

PHONE

P: 1-866-9499-COW
F: (717) 261-1790

WEB

www.soundproofcow.com



Instructions / Details

1. Install the Quiet Batt® between the joists.
2. Lay the ½ inch drywall face down on to a clean dry surface. Apply a ¼ inch bead PL Construction Adhesive around the perimeter of the backside of the drywall. Apply the adhesive approximately 2 inches from the edge of the drywall. Create an X pattern corner to corner and place a few 1 inch “globs” of glue with the field.
3. Place the Quiet Barrier® material onto the back side of the drywall. To ensure good contact with the adhesive, use a hand roller to apply pressure. Let the adhesive cure for 24 hours before installation.
4. Attach the drywall / Quiet Barrier® composite with 1 5/8 inch coarse thread drywall screws. Be sure the screws penetrate the joists within the ceiling assembly. Screws should be placed 8 to 12 inches apart.
5. Leave a ¼ inch gap between the new layer of gypsum board and all adjoining walls.
6. Fill the ¼ inch gap with OSI® Pro-Series® SC-175™ Acoustical Sound Sealant.
7. Finish the gypsum board using common industry standards.

Note: For increased performance add another layer of 5/8 inch Type X Gypsum board.

ADDRESS

Soundproofcow
440 Ramsey Avenue
Chambersburg, PA 17201

PHONE

P: 1-866-9499-COW
F: (717) 261-1790

WEB

www.soundproofcow.com

